

FCC regulatory warning

This equipment has been tested and found to comply with the limits for a Class B digital device, pursuant to part 15 of the FCC Rules. These limits are designed to provide reasonable protection against harmful interference in a residential installation. This equipment generates, uses and can radiate radio frequency energy and, if not installed and used in accordance with the instructions, may cause harmful interference to radio communications. However, there is no guarantee that interference will not occur in a particular installation. If this equipment does cause harmful interference to radio or television reception, which can be determined by turning the equipment off and on, the user is encouraged to try to correct the interference by one or more of the following measures:

- Reorient or relocate the receiving antenna.
- Increase the separation between the equipment and receiver.
- Connect the equipment into an outlet on a circuit different from that to which the receiver is connected.
- Consult the dealer or an experienced radio/TV technician for help.

Any changes or modifications not expressly approved by the party responsible for compliance could void the user's authority to operate this equipment.

The device complies with Innovation, Science and Economic Development Canada (ISED) compliance requirements ICES-003.

CAN ICES-3 (B)



ZR-1 Quick Start Guide

version: 1.3

1. Safety and usage precautions

Handle the device with special care, avoiding sudden shocks such as dropping or hitting into other objects.

To reduce fire or shock hazard, do not expose the unit to rain, moisture or high temperatures. Do not use near heaters or other heat sources.

Always turn the power off before connecting any cables. Do not apply excessive force to plugs when they are connected to the ZR-1 device.

In case of using a battery power supply:

Always use commercially-available 1.5 V dry cell batteries.

Carefully study warning indications on batteries before use.

Always keep the battery cover closed during use.

Install batteries with correct +/- orientations.

Do not use new and old batteries together. Do not use batteries of different brands or types together.

Remove the batteries when the device will not be used for a long time.

In case of using external power supply:

Always use a DC power source (DC wall adapter or power bank) specified for this product: 5V, 2.5 A. Carefully study the warning indicators of the DC power supply before use.

Disconnect the DC adapter from the outlet when the unit will not be used for a long time and whenever there is lightning. Do not open the case or make alterations.

2. Registration

Before using the ZYLIA ZR-1 recorder for the first time, register the device at:

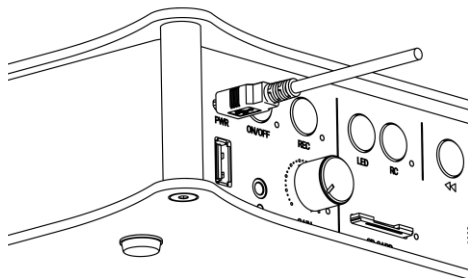
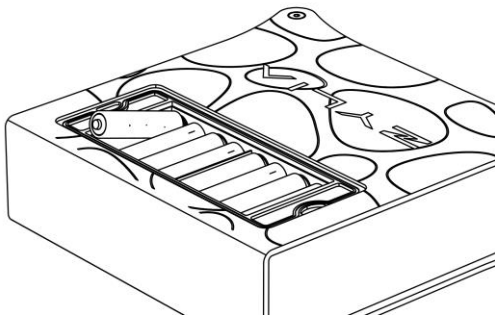
www.zylia.co/register

Use the serial number located on the device and provide your contact information.

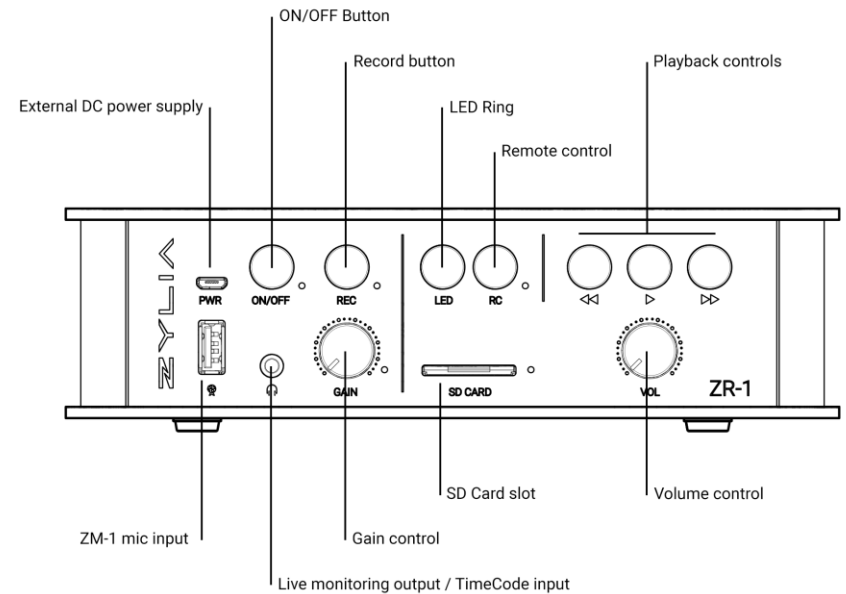
By registering, you can access technical support, activate your warranty. Registering also keeps you informed of all the latest software updates and ZYLIA products.

3. Preparation

Insert 8 x AA batteries or plug the device to a power supply using a power adapter with a micro USB socket. Alternatively, it can be powered by a power bank.



4. Description of buttons and knobs



The full user manual is available on our website www.zylia.co

5. Legal

Supplier's Declaration of Conformity

Unique Identifier: ZYLIA ZR-1 model 0A

Responsible party: Zylia Inc., 2093 Philadelphia Pike STE 4656, Claymont DE 19703-2424 936, USA

This device complies with part 15 of the FCC Rules. Operation is subject to the following two conditions:

(1) This device may not cause harmful interference, and (2) this device must accept any interference received, including interference that may cause undesired operation.